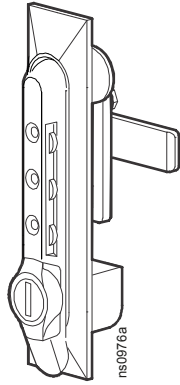
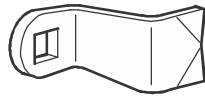


Combination Door Lock Handles for NetShelter™ Cabinets

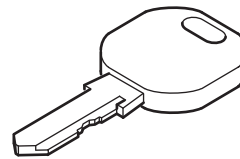
AR8132A
Inventory



Combination Lock Handle (2)

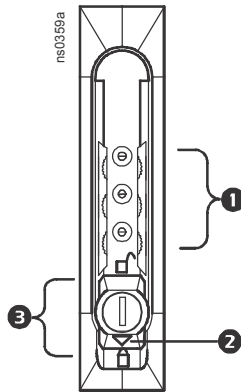


Alternate Handle Cam (2)

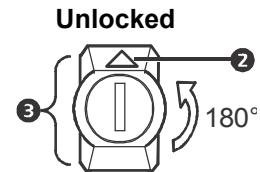
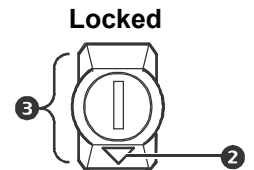


Key (2)

Parts Identification



- ❶ Combination Dials
- ❷ Indicator Arrow
- ❸ Wing Knob



Unlock using the Dials:

1. Dial the combination ❶ (factory default = "000").
2. Turn the wing knob ❸ until the arrow ❷ points up (unlocked position).
NOTE: The use of the provided key will override the combination.

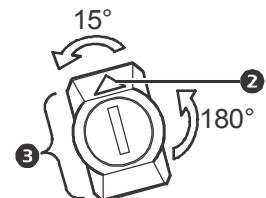
Lock using the Dials:

1. Turn the wing knob ❸ until the arrow ❷ points down (locked position).
2. Turn the dials ❶ to randomize dials and clear the combination.

Changing the Combination:

NOTE: To change the combination, the existing combination must be known.

1. Dial the combination ❶ (factory default = "000").
2. Turn the wing knob ❸ until the arrow ❷ points up (unlocked position). Turn it counterclockwise an additional 15°, and enter desired new combination.
3. Turn the wing knob clockwise 15° back to the unlocked position. The new combination is set.

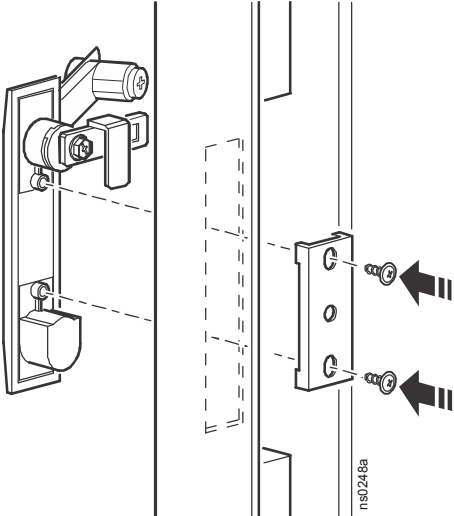
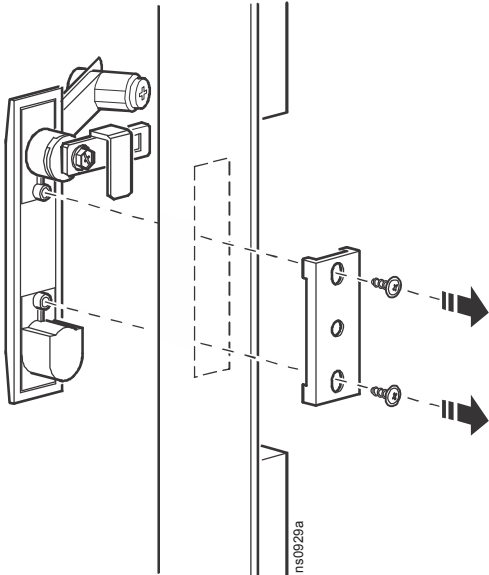


Installation

NetShelter SX

- 1. If required, remove prior handle in door. Locate screw plate, and remove any installed screws.

Extract the handle and screw plate from the door.



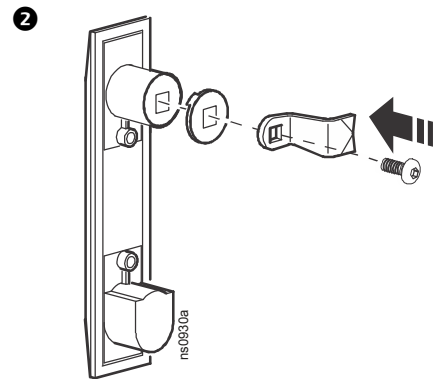
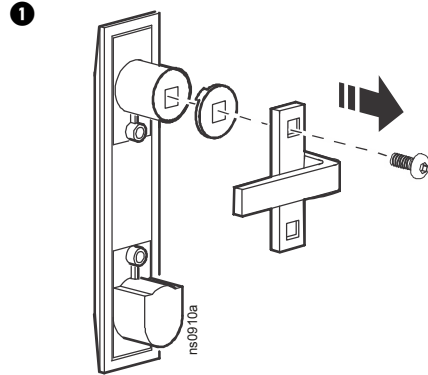
- 2. Slide new handle through the lock cutout in the door.
- 3. Affix screw plate to rear of handle, and secure the fasteners in place.

NetShelter VX

NOTE: The NetShelter VX cabinet requires a different cam than the pre-installed cam. For installation onto a NetShelter VX the alternate cam included in the kit needs to be installed.

Remove Prior Cam

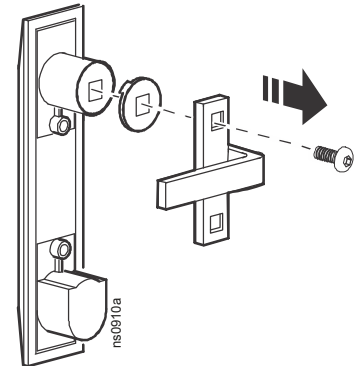
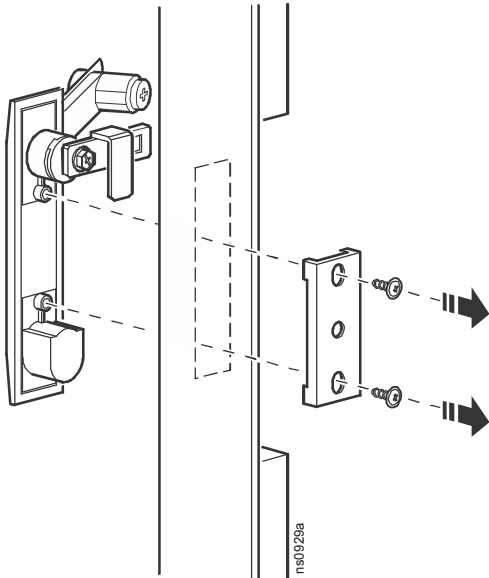
1. Remove the screw holding the pre-installed NetShelter SX cam in place. Slide the cam off the lock.
2. Locate NetShelter VX cam, and install onto the handle. Secure in place, using the screw removed in the preceding step.
3. Complete installation using steps outlined in "NetShelter SX"



Reverse the Door Handle

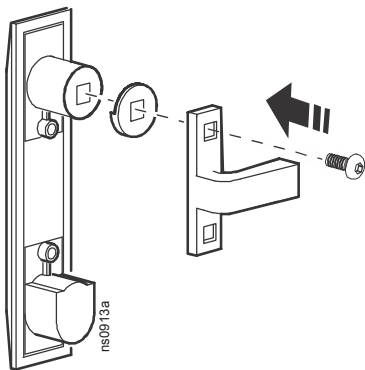
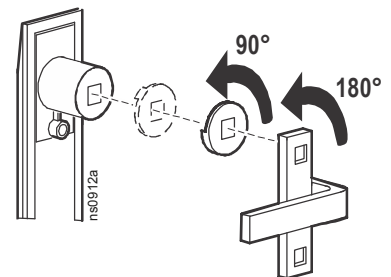
NOTE: If the door orientation is reversed, it may be required to reverse the orientation of the handle.

1. Remove the handle assembly from the door



2. Remove the screw, cam and washer from the back of the door handle assembly.

Rotate the washer 90° counterclockwise and the cam 180° counterclockwise.



3. Reattach the cam and washer.
4. Install the lock on door. Refer to "NetShelter SX" installation.